

The background of the entire page is a photograph of a modern office interior. The ceiling is a grid of white acoustic tiles with several recessed troffer lights. The office has large windows, desks with computers, and potted plants. The overall color scheme is a cool blue-grey.

LED

**TROFFER
LIGHTS**

Commercial & Industrial Retrofitting
Solutions Made Even Better!



LED TROFFER LIGHTS

Commercial & Industrial Retrofitting
Solutions Made Even Better!

About **IKIO**

IKIO is one of the fastest growing LED lighting brands that has built a successful track record of being a reliable and trusted LED lighting partner. We at IKIO combine innovative ideas, expertise & advanced technology to create cutting-edge lighting solutions that are changing the landscape of the industry. Moreover, we are ideally positioned to offer the right solutions for all your lighting requirements because of our holistic approach and vertically integrated infrastructure.

IKIO: Your Way To Next-Gen Lighting!

IKIO is a trusted American LED Lighting brand with a proven history of delivering ground-breaking lighting solutions. Through our consistent focus on innovation and dedicated team efforts, we have engineered a wide portfolio of ingenious solutions that cater to our customers' unique lighting requirements. Here's what sets us apart:



Annual manufacturing capacity of over 10 million fixtures.



Continuous focus on research & development.



A world-class vertically-integrated manufacturing setup.



Lower in-process rejection rate (<0.68%).



Major quality certifications (ISO 9001, 14000 & 18001 & OHSAS).

Have You Thought Of Tapping Into The Growing **Troffer Market** Yet?

According to a latest market research, the troffer segment is predicted to reach \$9.47 billion by 2025. This is possible only if the segment grows at a CAGR of 6.20% during the years 2020-2025. However, considering that the global demand for LED troffers is on a constant rise due to the adoption of LEDs by lighting designers, architects, and engineers for new constructions & retrofits, we can say that the numbers are not really far fetched. Even government is offering many rebates for commercial & industrial entities for replacing their traditional lamps with LED troffer products.

Another factor contributing to this is the performance of LEDs at all levels. While traditional fluorescent lights can utilize up to 160 watts to 112 watts for four foot lamp fixtures, LED technology utilizes about 30 to 50 watts per fixture. This 50%-80% increase in cost savings goes on to show just how much lighting can tip the scale when it comes to reducing the consumption of electricity in buildings. Being compatible with most existing recessed lighting fixtures, troffers is the way to go for any company that wants to switch to LEDs without major overhauls!

Upgrade Your Standard Fluorescent Lamps To Be **High-Performance Fixtures** With **IKIO LED Troffers**

IKIO LED Troffers offer the ideal balance of top-tier LED performance and A-1 value to suit your different commercial and industrial needs. Our wide portfolio includes Architectural Troffers, Retrofit Troffers, and CCT & Power Selectable Troffers, all of which can be fine-tuned by our experts to fit into your existing lighting fixtures without compromising with the quality standards or visual appeal.

In addition, our fixtures are qualified and UL listed, meaning they are created to deliver high levels of energy efficiency, letting your customers enjoy reduced energy consumption (up to 30%), lower maintenance cost, and standard rebates offered by the government. With deliverables like high CRI, uniform light output and lasting finish, and due to its low profile, our troffers can be used in a wide range of applications!

Why Should You Consider Buying **IKIO LED Troffers**?

As per the U.S. Department of Energy, a vast majority of lighting in the commercial buildings in the USA is still provided by fluorescent ceiling fixtures. This robs those entities/facilities from the opportunity to make the most out of their lighting systems while delivering the best illumination to their own customers. IKIO LED Troffers is solution to this problem, as they are excellent for retrofit applications (just as much as for new constructions!). Here's an insight into all the benefits you will get by switching to IKIO LED Troffers:



Superb Visibility: Optimal light diffusion ensures no shadowing or hot spots, helping your customers light their spaces better and attract more footfalls.



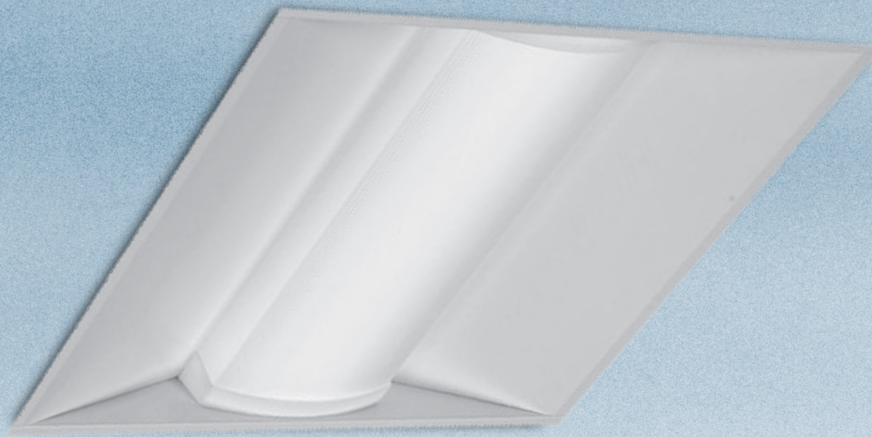
Excellent Lumen Output: Results in comfortable lighting in offices, hospitals, and other commercial applications with low optical flicker.



Smooth Dimming: Adaptable with 0-10 V dimming controls, these troffers can help your customers reduce peak demand electricity charges.

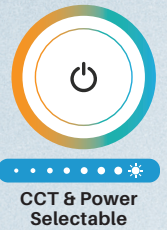


Lesser SKUs & Versatility: CCT & Power selectable option on selective models reduces the number of SKUs for a single product.



Contrizza^{2'x2'}

Architectural Troffer | CCT & Power Selectable



Electrical

Power	15 W-25 W-30 W-36 W
Voltage	100-277 V
Power Factor	≥ 0.90

Lighting Performance

Lumens	1875 lm-3125 lm-3750 lm-4500 lm
Efficacy	125 lm/W
Color Temperature (CCT)	3000 K-3500 K-4000 K-5000 K
Color Rendering (CRI)	80+
Beam Angle	120°
Dimmable Lighting Control	0-10 V, Range 10% - 100%

Environment

Operating Temperature	-04 °F ~ +122 °F
Suitable Location	DAMP
Ingress Protection Rating (IP)	IP40

Lifespan

Average Life (Hours)	50,000
Warranty (Years)	5

Components

LED Light Source	Runlite
Driver	Lyford

Construction

Housing	Aluminum
Lens	Polycarbonate
Base / Power Supply	Hard Wire / Surge Protector
Finish	White

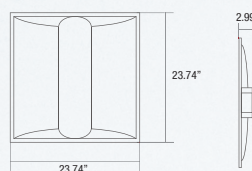
Application Areas

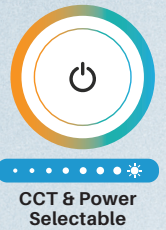
Ideal for retail applications, commercial buildings and work areas.

*Specifications, Warranty, and Qualifications can vary per item/SKU. See technical data sheets (TDS) for specific information.

Dimensions (Inches)

Length	23.74"
Width	23.74"
Height	2.99"





Contrizza^{2'x4'}

Architectural Troffer | CCT & Power Selectable

Electrical

Power	20 W-30 W-36 W-40 W
Voltage	100-277 V
Power Factor	≥ 0.90

Lighting Performance

Lumens	2500 lm-3750 lm-4500 lm-5000 lm
Efficacy	125 lm/W
Color Temperature (CCT)	3000 K-3500 K-4000 K-5000 K
Color Rendering (CRI)	80+
Beam Angle	120°
Dimmable Lighting Control	0-10 V, Range 10% - 100%

Environment

Operating Temperature	-04 °F ~ +122 °F
Suitable Location	DAMP
Ingress Protection Rating (IP)	IP40

Lifespan

Average Life (Hours)	50,000
Warranty (Years)	5

Components

LED Light Source	Runlite
Driver	Lyford

Construction

Housing	Aluminum
Lens	Polycarbonate
Base / Power Supply	Hard Wire / Surge Protector
Finish	White

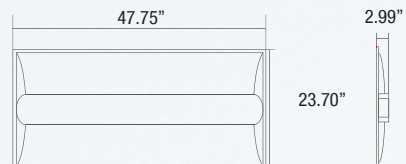
Application Areas

Ideal for retail applications, commercial buildings and work areas.

*Specifications, Warranty, and Qualifications can vary per item/SKU. See technical data sheets (TDS) for specific information.

Dimensions (Inches)

Length	47.75"
Width	23.70"
Height	2.99"



Installation Instructions

Important Safeguards

PLEASE FIND A QUALIFIED ELECTRICIAN FOR INSTALLATION. Please read the instructions before you install and use the luminaire.
WARNING, CAUTIONS AND OPERATING INSTRUCTIONS

- To reduce the risk of death, personal injury or property damage from fire, electric shock, falling parts, cuts/abrasions, and other hazards read all warnings and instructions included with and on the fixture box and all fixture labels.
- Before installing, servicing, or performing routine maintenance upon this equipment, follow these general precautions.
- Commercial installation, service and maintenance of luminaires should be performed by a qualified licensed electrician.
- For the installation: If you are unsure about the installation or maintenance of the luminaires, consult a qualified licensed electrician and check your local electrical code.
- To prevent wiring damage or abrasion, do not expose wiring to edges of sheet metal or other sharp objects.
- Do not make or alter any open holes in an enclosure of wiring or electrical components during kit installation.

WARNING: RISK OF FIRE OR ELECTRICAL SHOCK

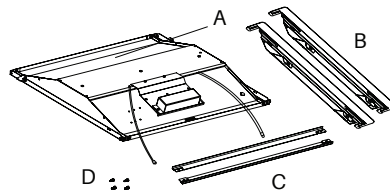
- Turn off electrical power at fuse or circuit breaker box before wiring fixture to the power supply.
- Turn off the power when you perform any maintenance.
- Verify that supply voltage is correct by comparing it with the luminaire label information.
- Make all electrical and grounded connections in accordance with the National Electrical Code and any applicable local code requirements.
- All wiring connections should be capped with UL approved wire connectors.

CAUTION: RISK OF INJURY

- Avoid direct eye exposure to the light source while it is on.
- Account for small parts and destroy packing material, as these may be hazardous to children.
- Recessed Luminaires for Type IC.
- Suitable for Dry or Damp locations.

 **WARNING:** DISCONNECT POWER AND ALLOW FIXTURE TO COOL BEFORE CHANGING BULB OR HANDING FIXTURE FOR INSTALLING OR SERVICING.

- A. LED Troffer Retrofit
- B. End Brackets - 2 ea.
- C. Side Brackets - 2 ea.
- D. Self-Tapping Screws - 4 ea.



Fixture Size	Maximum Inner Dimensions
2' x 2'	24" x 24" x 3.1"
2' x 4'	48" x 24" x 3.1"

1. Prior to installation, disconnect all incoming power to fixture. Remove existing hardware (lens/lens frame, parabolic louver, reflectors/ballast covers, brackets, lamps/lamp holders). Leave supply and grounding leads. (Fig. 1)

NOTE: Follow all federal and local regulations when disposing of lamps and removed components.

2. Install LED panel end brackets to each end of the existing fixture by gently lifting it and placing LED panel end brackets between the fixture and T-grid. (Fig. 2)
3. If there is a gap between the fixture and T-grid, LED panel side brackets can be installed between the fixture and T-grid. There are two tabs to allow for placing the side brackets into the slot of end brackets. (Fig. 2)
4. Secure the LED panel brackets to the existing fixture using the provided #8 x 1/2" self-drilling screws. (Fig.3)
5. Locate the LED Troffer Retrofit onto the keyholes of the end brackets, and then slide the LED Troffer Retrofit horizontally onto the end slots. (Fig. 4)
6. Hook the safety cables into the holes positioned on the end brackets.
7. Use the provided wire caps to connect the wire leads of the troffer kit to the main power leads. (Black-Live, White-Neutral and Green-Ground) (Fig. 5)
8. Secure the LED Troffer Retrofit by locking the latches riveted on each end of the frame. (Fig.6)

Fig. 1

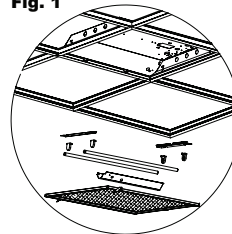


Fig. 2

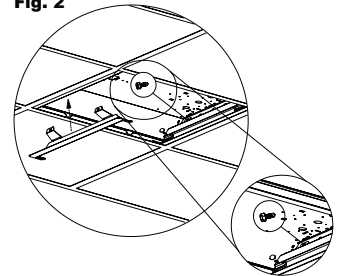


Fig. 3

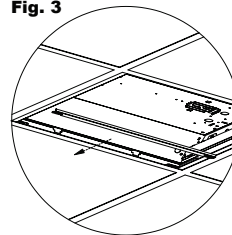


Fig. 4

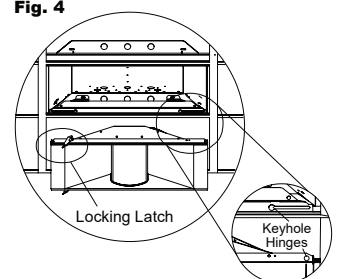


Fig. 5

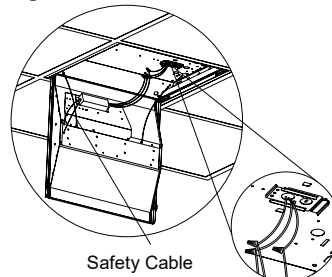
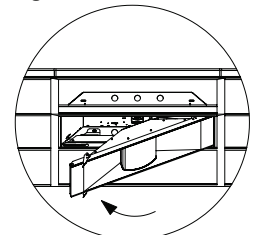
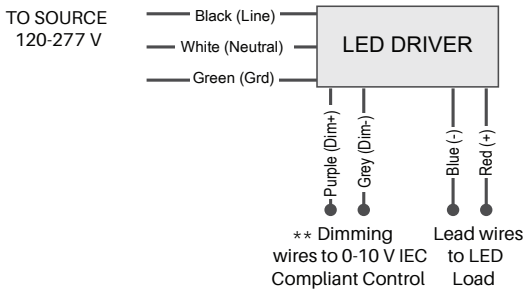


Fig. 6



General Wiring Diagram



Field Adjustable Wattage & CCT

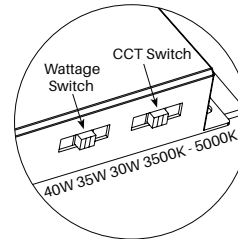
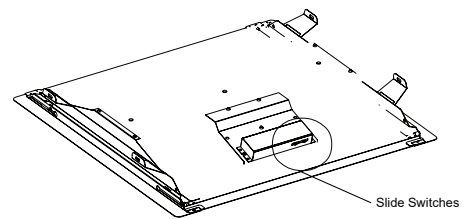
The end users may adjust the color temperature and lumen output, respectively, by the two slide switches integrated into the back of the fixture. Each switch has 3 options (left, middle and right), each position corresponds to 1 of 3 color temperatures (Warm White, Cool White, and Sky-Brite®) and 1 of 3 wattages, which can be adjusted to the desired combination.

Default Settings for 2x2: 40 W, 5000 K

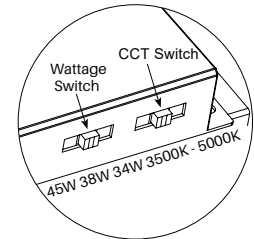
Default Settings for 2x4: 45 W, 5000 K

1. Switches are located on the driver. (Fig. 7)
2. Select a wattage and color temperature by sliding switch left or right respectively to the desired value. (Fig. 7)

Fig. 7



2X2 TROFFER RETROFIT

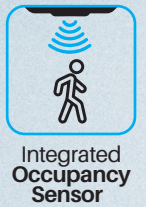


2X4 TROFFER RETROFIT



Smart Toucan 2'x2'

Architectural Troffer



Electrical

Power	25 W
Voltage	120 - 277 V
Power Factor	0.995

Lighting Performance

Lumens	3125 lm
Efficacy	125 lm/W
Color Temperature (CCT)	3000 K 3500 K 4000 K 4500 K 5000 K
Color Rendering (CRI)	82.6
Beam Angle	120°
Dimmable Lighting Control	0-10 V, Continuous Dimming to 10% or below
Integral Controls	Yes
Sensor Type	Occupancy Sensor

Environment

Operating Temperature	-13 °F ~ + 122 °F
Suitable Location	DAMP
Ingress Protection Rating (IP)	IP20

Lifespan

Average Life (Hours)	50,000
Warranty (Years)	5 (+5 Years Extended Warranty Option Available)

Components

LED Light Source	Samsung
Driver	Becky

Construction

Housing	Sheet
Cover Material / Lens	PC
Base / Power Supply	Hard Wire
Finish	White

Application Areas

Offices, hallways, multipurpose rooms, and conference rooms.

Qualifications and Certifications

Qualified Part Number	IK-AT22S-0025
-----------------------	----------------------

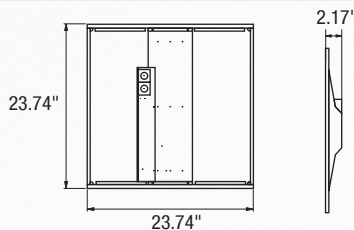


DesignLights Consortium® (DLC) Premium qualified product. Not all versions of this product may be DLC qualified. Please check the DLC Qualified Products List at www.designlights.org/QPL to confirm which versions are qualified.

*Specifications, Warranty, and Qualifications can vary per item/SKU. See technical data sheets (TDS) for specific information.

Dimensions (Inches)

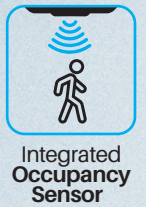
Length	23.74"
Width	23.74"
Height	2.17"





Smart Toucan 2'x4'

Architectural Troffer



Electrical

Power	35 W
Voltage	120 - 277 V
Power Factor	0.995

Lighting Performance

Lumens	3750 lm
Efficacy	125 lm/W
Color Temperature (CCT)	3000 K 3500 K 4000 K 4500 K 5000 K
Color Rendering (CRI)	83.4
Beam Angle	120°
Dimmable Lighting Control	0-10 V, Continuous Dimming to 10% or below
Integral Controls	Yes
Sensor Type	Occupancy Sensor

Environment

Operating Temperature	-13 °F ~ + 122 °F
Suitable Location	DAMP
Ingress Protection Rating (IP)	IP20

Lifespan

Average Life (Hours)	50,000
Warranty (Years)	5 (+5 Years Extended Warranty Option Available)

Components

LED Light Source	Samsung
Driver	Becky

Construction

Housing	Sheet
Cover Material / Lens	PC
Base / Power Supply	Hard Wire
Finish	White

Application Areas

Offices, hallways, multipurpose rooms, and conference rooms.

Qualifications and Certifications

Qualified Part Number	IK-AT24S-0035
-----------------------	----------------------

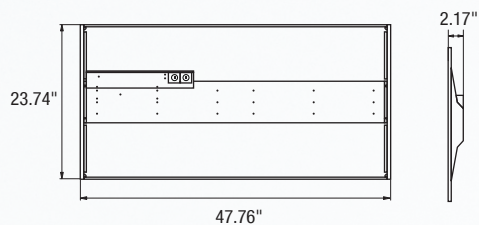


DesignLights Consortium® (DLC) Premium qualified product. Not all versions of this product may be DLC qualified. Please check the DLC Qualified Products List at www.designlights.org/QPL to confirm which versions are qualified.

*Specifications, Warranty, and Qualifications can vary per item/SKU. See technical data sheets (TDS) for specific information.

Dimensions (Inches)

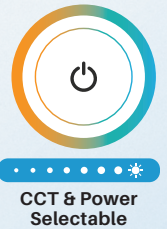
Length	47.76"
Width	23.74"
Height	2.17"





Delphi 2'x2'

Retrofit Troffers | CCT & Power Selectable



Electrical

Power	20 W-25 W-30 W
Voltage	100-277 V
Power Factor	0.9

Lighting Performance

Lumens	2500 lm-3125 lm-3750 lm
Efficacy	125 lm/W
Color Temperature (CCT)	3500 K-4000 K-5000 K
Color Rendering (CRI)	82
Beam Angle	120°
Dimmable Lighting Control	Continuous Dimming to 10% or Below

Environment

Operating Temperature	-4 °F ~ +122 °F
Suitable Location	DAMP
Ingress Protection Rating (IP)	IP40

Lifespan

Average Life (Hours)	50,000
Warranty (Years)	5 (+5 Years Extended Warranty Option Available)

Components

LED Light Source	Seoul 3528
Driver	Simon Driver

Construction

Housing	Aluminum / Metal Sheet
Diffuser	Frosted
Base / Power Supply	Hard Wire
Finish	Silver

Application Areas

Offices, hallways, multipurpose rooms, and conference rooms.

Qualifications and Certifications

Qualified Part Number	IK-RT22E-202530-CCT-D
-----------------------	------------------------------

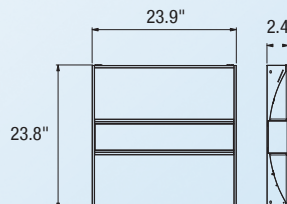


DesignLights Consortium® (DLC) Premium qualified product. Not all versions of this product may be DLC qualified. Please check the DLC Qualified Products List at www.designlights.org/ QPL to confirm which versions are qualified.

*Specifications, Warranty, and Qualifications can vary per item/SKU. See technical data sheets (TDS) for specific information.

Dimensions (Inches)

Length	23.9"
Width	23.8"
Height	2.4"



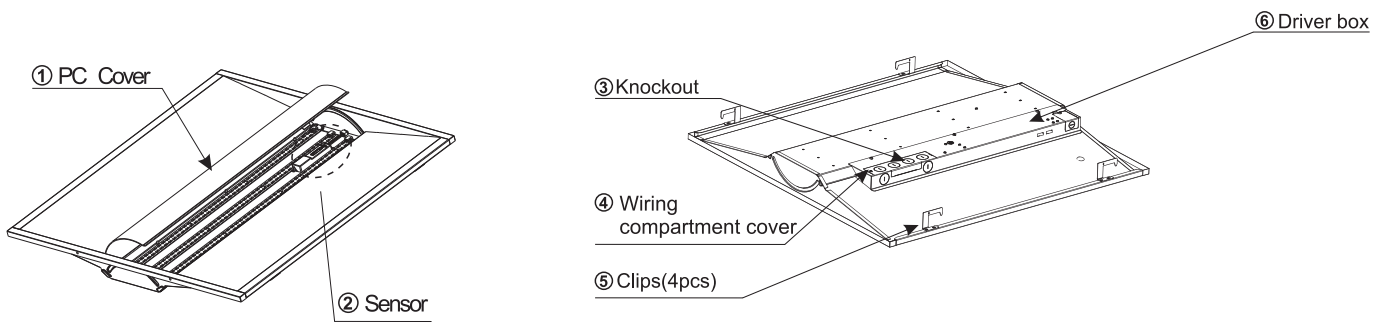
Installation Instructions

Important Safeguards

- Read carefully before installing the fixture. Keep these instructions for future reference.
- Thoroughly inspect the fixture for any freight damage; Freight damage should be reported to delivery carrier.
- The fixtures must be wired in accordance with the National Electrical Code and all applicable local codes. Proper grounding is required for safety.
- This product MUST be installed in accordance with the applicable installation code by an electrician familiar with the construction and operation of the product.

Warning

- RISK OF ELECTRIC SHOCK: Make sure power supply is OFF before installing or cleaning fixture. No user serviceable parts inside. Do NOT use the fixture within high humidity conditions. Keep away from flammable and explosive environment. Do NOT cover the fixture with insulation liner or similar material.
- Do NOT install where the fixture is loose or only partially supported.
- Do NOT impact or exert pressure on the fixture surface face or rear, as damage might occur.
- Suggested minimum clearance is 8.30 inches after installation.




Recessed T-Bar Mount

1. T-bar Installation: T-bar center distance generally goes as 23.86 x 23.86 \ 47.83 x 23.86 \ 47.83 x 11.97
2. Loosen the screw in top of the driver box(6) with screwdriver. Use a screwdriver to enter in the rectangular groove on knockout(3), pull in the right or left side direction until the knockout (3) comes off enabling you to processed with the wiring connections.
3. Through the conduit, the power feed is connected to the wiring terminal; make sure the connection is solid and reliable.
4. After the power is connected, install the screws back to its Wiring compartment cover (4).
5. Putting the LED lamp through the hole and put it on the T-shaped keel, then rotating the earthquake clips(5) on the four lamp corners, as shown in the position in the figure, about 90 and hanging it above the keel enable to protect the fixture from the vibration.

Wiring

1. Wire input end of the LED driver to supply wires using connector according to wiring section. Wire connections must be insulated.
2. Connect the black lead to line (+) supply lead
3. Connect the white lead to neutral/common (-) supply lead.
4. Connect the green lead to ground supply lead
5. If any, connect purple to 0-10 V signal supply lead and grey to 0-10 V neutral/reference supply lead.

-  CAUTION RISK OF ELECTRIC SHOCK
- Disconnect power before installing or servicing
 - All electrical work should be completed by qualified personnel and meet National (nec), regional and local electrical codes.

WIRING DIAGRAM





Delphi 2'x4'

Retrofit Troffers | CCT & Power Selectable



Electrical

Power	25 W-30 W-34 W
Voltage	100-277 V
Power Factor	0.9

Lighting Performance

Lumens	3125 lm-3750 lm-4250 lm
Efficacy	125 lm/W
Color Temperature (CCT)	3500 K-4000 K-5000 K
Color Rendering (CRI)	82
Beam Angle	120°
Dimmable Lighting Control	Continuous Dimming to 10% or Below

Environment

Operating Temperature	-4 °F ~ +122 °F
Suitable Location	DAMP
Ingress Protection Rating (IP)	IP20

Lifespan

Average Life (Hours)	50,000
Warranty (Years)	5 (+5 Years Extended Warranty Option Available)

Components

LED Light Source	Seoul 3528
Driver	Simon Driver

Construction

Housing	Aluminum / Metal Sheet
Diffuser	Frosted
Base / Power Supply	Hard Wire
Finish	Silver

Application Areas

Offices, hallways, multipurpose rooms, and conference rooms.

Qualifications and Certifications

Qualified Part Number	IK-RT24E-252530-CCT-D
-----------------------	------------------------------

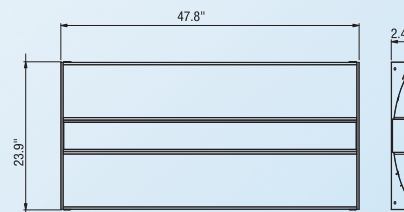


DesignLights Consortium® (DLC) Premium qualified product. Not all versions of this product may be DLC qualified. Please check the DLC Qualified Products List at www.designlights.org/ QPL to confirm which versions are qualified.

*Specifications, Warranty, and Qualifications can vary per item/SKU. See technical data sheets (TDS) for specific information.

Dimensions (Inches)

Length	47.8"
Width	23.9"
Height	2.4"



Installation Instructions

I Important Safeguards

PLEASE FIND A QUALIFIED ELECTRICIAN FOR INSTALLATION. Please read the instructions before you install and use the luminaire.

WARNING, CAUTIONS AND OPERATING INSTRUCTIONS

- To reduce the risk of death, personal injury or property damage from fire, electric shock, falling parts, cuts/abrasions, and other hazards read all warnings and instructions included with and on the fixture box and all fixture labels.
- Before installing, servicing, or performing routine maintenance upon this equipment, follow these general precautions.
- Commercial installation, service and maintenance of luminaires should be performed by a qualified licensed electrician.
- For the installation: If you are unsure about the installation or maintenance of the luminaires, consult a qualified licensed electrician and check your local electrical code.
- To prevent wiring damage or abrasion, do not expose wiring to edges of sheet metal or other sharp objects.
- Do not make or alter any open holes in an enclosure of wiring or electrical components during kit installation.

WARNING: RISK OF FIRE OR ELECTRICAL SHOCK

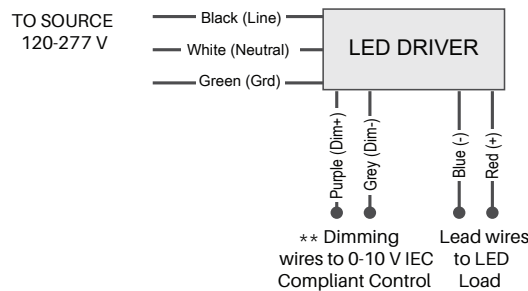
- Turn off electrical power at fuse or circuit breaker box before wiring fixture to the power supply.
- Turn off the power when you perform any maintenance.
- Verify that supply voltage is correct by comparing it with the luminaire label information.
- Make all electrical and grounded connections in accordance with the National Electrical Code and any applicable local code requirements.
- All wiring connections should be capped with UL approved wire connectors.

CAUTION: RISK OF INJURY

- Avoid direct eye exposure to the light source while it is on.
- Account for small parts and destroy packing material, as these may be hazardous to children.
- Recessed Luminaires for Type IC.
- Suitable for Dry or Damp locations.

⚠ WARNING: DISCONNECT POWER AND ALLOW FIXTURE TO COOL BEFORE CHANGING BULB OR HANDING FIXTURE FOR INSTALLING OR SERVICING.

I General Wiring Diagram

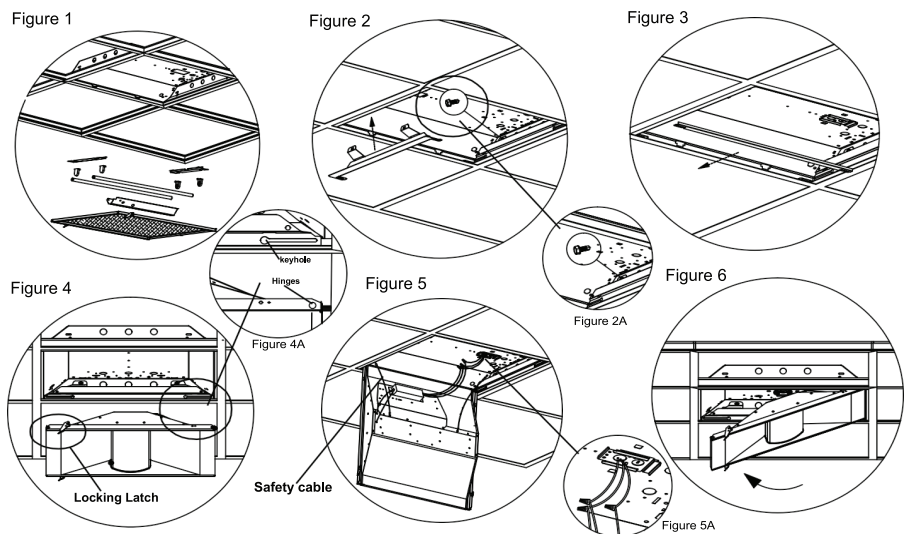


I Installation

- Prior to installation, disconnect all incoming power to fixture. Remove existing hardware (lens/lens frame, parabolic louver, reflectors/ballast covers, brackets, lamps/lamp holders). Leave supply and grounding leads. (Fig.1)

NOTE: Follow all federal and local regulations when disposing of lamps and removed components.

- Install LED panel end brackets to each end of the existing fixture by gently lifting it and placing LED panel end brackets between the fixture and T-grid. (Fig.2)
- If you are not pleased with the gap between the fixture and T-grid, you may install LED panel side brackets between the fixture and T-grid, there are two tabs to allow for placing the side brackets into the slot of end brackets. (Fig.2)
- Secure the LED panel brackets to the existing fixture using the provided #8x1/2" self-drilling screws. (Fig.3)
- Locate the door assembly body onto the keyholes of end brackets, and then slide the door assembly body horizontally to the end of slots. (Fig.4)
- Hook the safety cables into the holes positioned the end brackets. (Fig.5)
- Use the provided wire caps to connect the wire leads of the troffer kits to the main power leads. (Black-Live, White-Neutral, Green-Grounding) (Fig.5)
- Secure the door assembly body by locking the latches riveted on each end of the assembled door frame. (Fig.6)





Delphi 2'x2'

Architectural Troffers | CCT & Power Selectable



CCT & Power Selectable

Electrical

Power	20 W-25 W-30 W
Voltage	120-277 V
Power Factor	0.9887

Lighting Performance

Lumens	2540 lm-3175 lm-3810 lm
Efficacy	127 lm/W
Color Temperature (CCT)	3500 K-4000 K-5000 K
Color Rendering (CRI)	82
Beam Angle	120°
Dimmable Lighting Control	0-10 V, Range 10%-100%

Environment

Operating Temperature	-4 °F ~ +122 °F
Suitable Location	DAMP
Ingress Protection (IP)	IP20

Lifespan

Average Life (Hours)	50,000
Warranty (Years)	5 (+5 Years Extended Warranty Option Available)

Components

LED Light Source	Seoul 3528
Driver	Simon

Construction

Housing	Galvanized Steel Plate
Cover Material / Lens	PMMA
Diffuser	Frosted
Finish	White

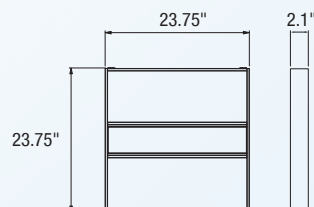
Application Areas

Offices, hallways, multipurpose rooms, and conference rooms.

*Specifications, Warranty, and Qualifications can vary per item/SKU. See technical data sheets (TDS) for specific information.

Dimensions (Inches)

Length	23.75"
Width	23.75"
Height	2.1"





Delphi 2'x4'

Architectural Troffers | CCT & Power Selectable



CCT & Power Selectable

Electrical

Power	25 W-30 W-35 W
Voltage	120-277 V
Power Factor	0.9932

Lighting Performance

Lumens	3175 lm-3810 lm-4445 lm
Efficacy	127 lm/W
Color Temperature (CCT)	3500 K-4000 K-5000 K
Color Rendering (CRI)	82
Beam Angle	120°
Dimmable Lighting Control	0-10 V, Range 10%-100%

Environment

Operating Temperature	-4 °F ~ +122 °F
Suitable Location	DAMP
Ingress Protection (IP)	IP20

Lifespan

Average Life (Hours)	50,000
Warranty (Years)	5 (+5 Years Extended Warranty Option Available)

Components

LED Light Source	Seoul 3528
Driver	Simon

Construction

Housing	Galvanized Steel Plate
Cover Material / Lens	PMMA
Diffuser	Frosted
Finish	White

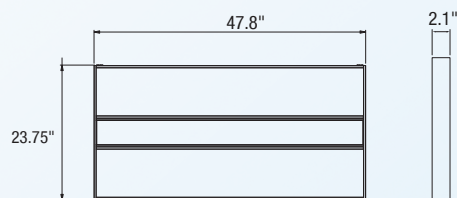
Application Areas

Offices, hallways, multipurpose rooms, and conference rooms.

*Specifications, Warranty, and Qualifications can vary per item/SKU. See technical data sheets (TDS) for specific information.

Dimensions (Inches)

Length	47.8"
Width	23.75"
Height	2.1"



Installation Instructions

Important Safeguards

PLEASE FIND A QUALIFIED ELECTRICIAN FOR INSTALLATION. Please read the instructions before you install and use the luminaire.
WARNING, CAUTIONS AND OPERATING INSTRUCTIONS

- To reduce the risk of death, personal injury or property damage from fire, electric shock, falling parts, cuts/abrasions, and other hazards read all warnings and instructions included with and on the fixture box and all fixture labels.
- Before installing, servicing, or performing routine maintenance upon this equipment, follow these general precautions.
- Commercial installation, service and maintenance of luminaires should be performed by a qualified licensed electrician.
- For the installation: If you are unsure about the installation or maintenance of the luminaires, consult a qualified licensed electrician and check your local electrical code.
- To prevent wiring damage or abrasion, do not expose wiring to edges of sheet metal or other sharp objects.
- Do not make or alter any open holes in an enclosure of wiring or electrical components during kit installation.

WARNING: RISK OF FIRE OR ELECTRICAL SHOCK

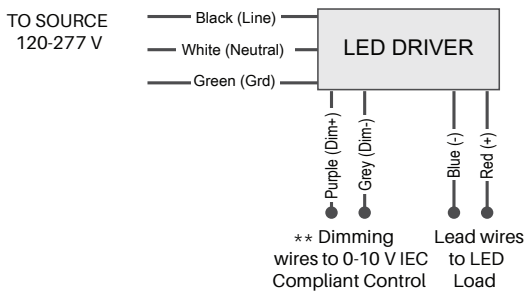
- Turn off electrical power at fuse or circuit breaker box before wiring fixture to the power supply.
- Turn off the power when you perform any maintenance.
- Verify that supply voltage is correct by comparing it with the luminaire label information.
- Make all electrical and grounded connections in accordance with the National Electrical Code and any applicable local code requirements.
- All wiring connections should be capped with UL approved wire connectors.

CAUTION: RISK OF INJURY

- Avoid direct eye exposure to the light source while it is on.
- Account for small parts and destroy packing material, as these may be hazardous to children.
- Recessed Luminaires for Type IC.
- Suitable for Dry or Damp locations.

 **WARNING:** DISCONNECT POWER AND ALLOW FIXTURE TO COOL BEFORE CHANGING BULB OR HANDING FIXTURE FOR INSTALLING OR SERVICING.

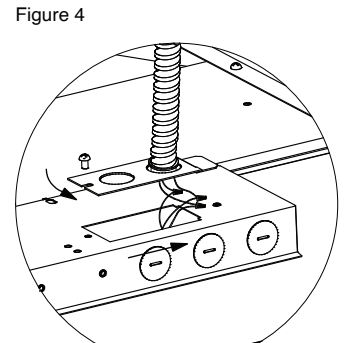
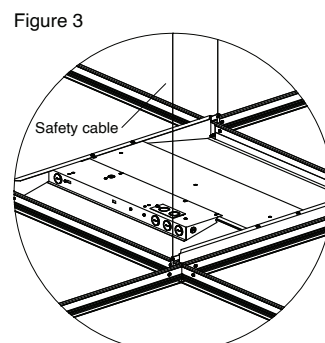
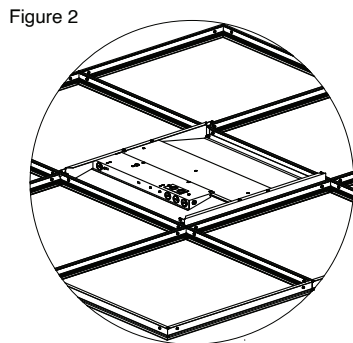
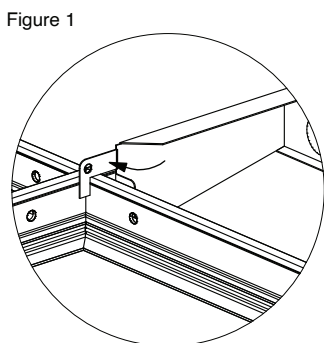
General Wiring Diagram



Installation Steps:

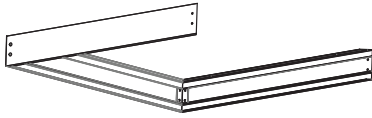
- Figure 1: Bend out mounting tab 90 degrees on each corner.
 Figure 2: Lay fixture into T-gird grid.
 Figure 3: Use hanger wire to tie off appropriately in accordance with local building code.

- Figure 4: Install conduit containing the line, neutral and ground conductors to the knockout of the cover plate. Make all electrical connections to the fixture. Attach the wiring access cover plate.

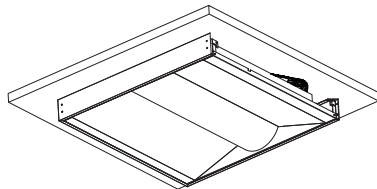


Surface Mounting Kit

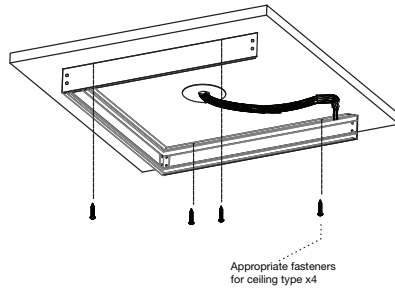
1. Using the appropriate dimensions and fasteners after properly measuring the placement of the surface mount frame.



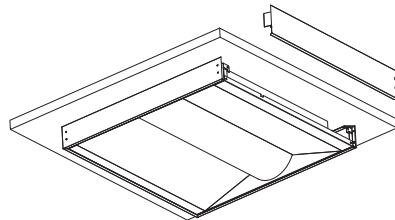
4. Push the conduit hose back into the surface mount frame properly, insert the luminaire fully into the frame. When installed properly, the luminaire will rest on the flanges of the surface mount frames. If the luminaire is not resting properly on the flanges, lift it up and shift it until it rest into place.



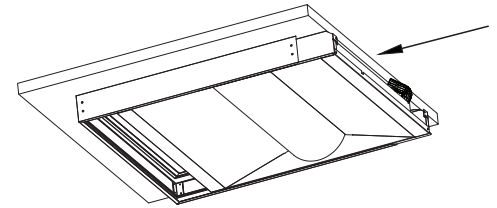
2. Choose the opening part as close as possible to the junction box prior to securing the surface mount frame to the ceiling. Ensure the frame is square, then slide horizontally till the end of slots to fully securing the frame to the ceiling.



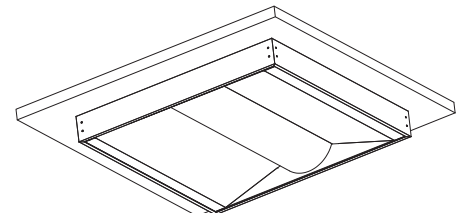
5. Place the last frame into the slots, then slightly slide the last frame to the left make sure it get locked tightly, join the last frame to the rested frames by fastening them together with appropriate fasteners.



3. Put the wire conduit hose as close as possible to the surface mount opening before to local code and make sure wire conduit hose is long enough for wiring connection placing/inserting the luminaire into it partially. Make all electrical connections according according to.

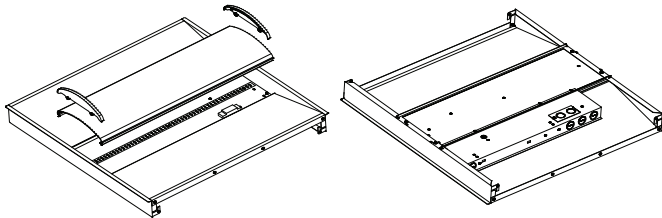


6. Installation completed. Fixture is ready to power on.

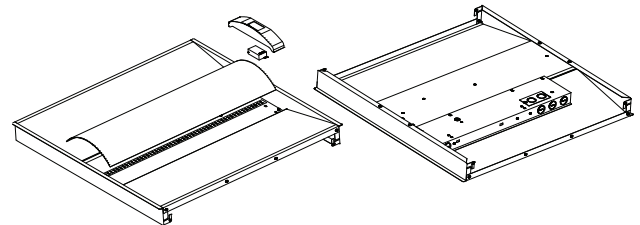


Microwave Motion Sensor

IFS08

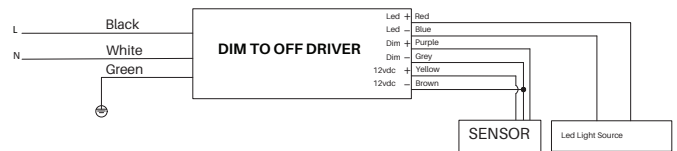
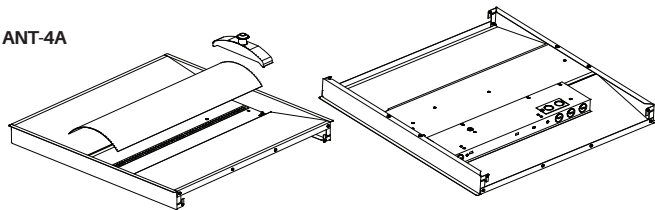


ANT-9

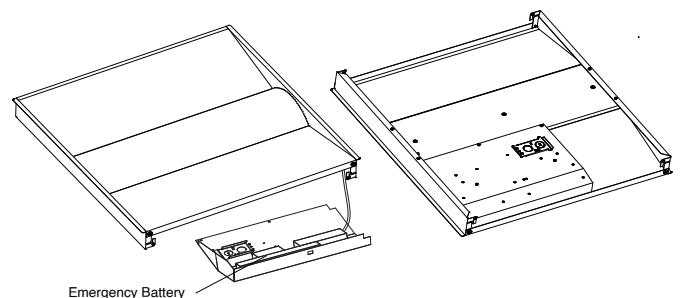
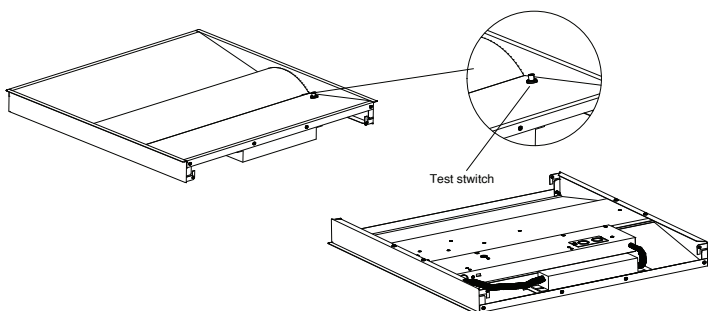


Infrared Ray Sensor

ANT-4A



Emergency Battery Back-up





LED

**TROFFER
LIGHTS**

Commercial & Industrial Retrofitting
Solutions Made Even Better!



Scan To Explore Our
Exciting Product Range



(1) 844-533-4546 | info@ikioledlighting.com
8470 Allison Pointe Blvd, Suite 128 Indianapolis, IN 46250
www.ikioledlighting.com