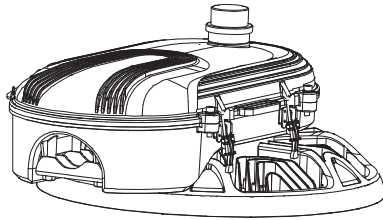


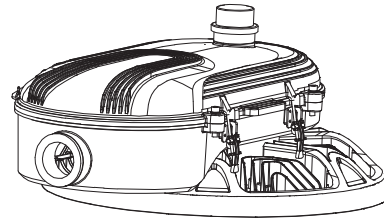
⚠ WARNING:

- Please read the Installation Instructions carefully before installation.
- Please authorize only qualified person or professional engineer to install the fixture.
- Before installation, Please check if the local voltage range is correspond with the working voltage of the fixture.
- If the fixture is damaged, it should be replaced by the supplier, a service agent or a qualified person.
- please keep the fixture out of fire, electric shock, vibration.
- To avoid fire, electric, shock

Installation method:



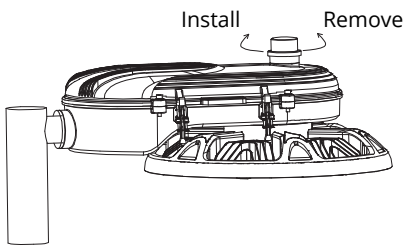
Standard external mounting



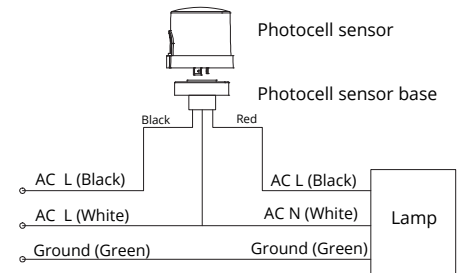
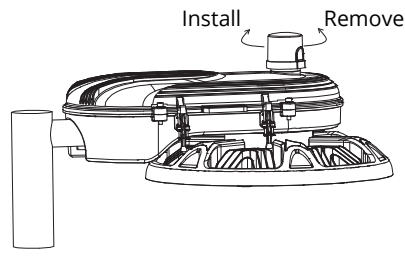
Internal mounting

Fitting Installation :

Short-circuit cap installation



Photocell installation

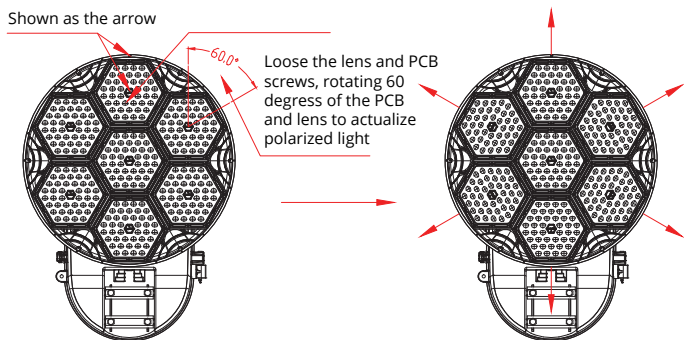


Installation type:

① Polarized light:

PC lens

Hexacule modules to make directional polarized light and universal polarized light

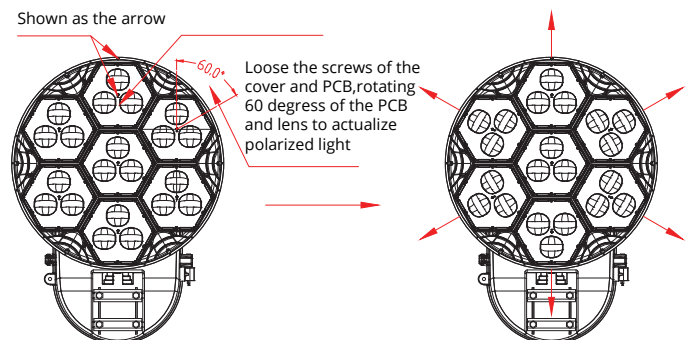


Directional polarized light

Universal polarized light

Glass lens

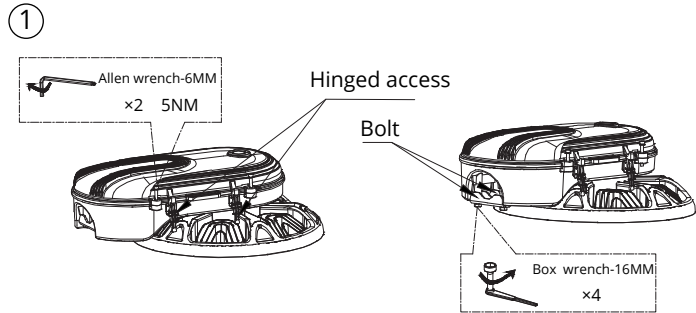
Hexacule modules to make directional polarized light and universal polarized light



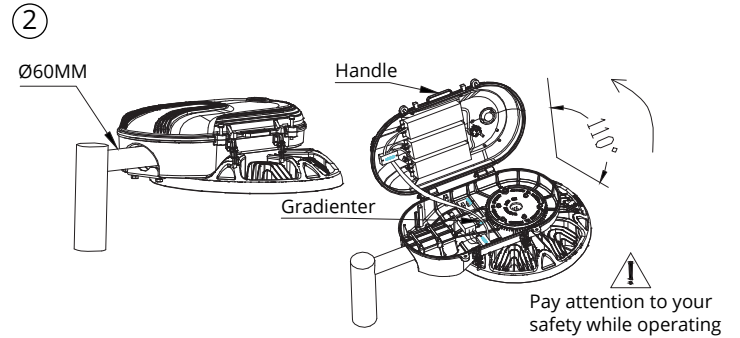
Directional polarized light

Universal polarized light

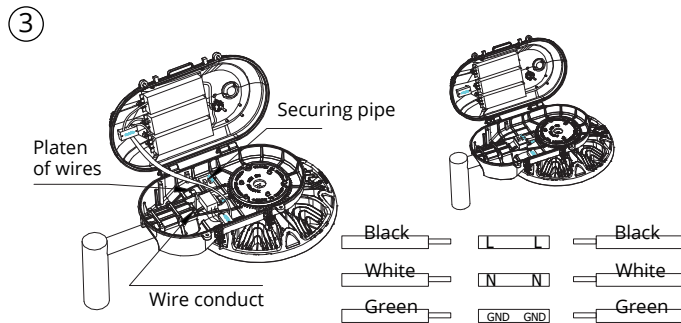
2 Standard external mounting:



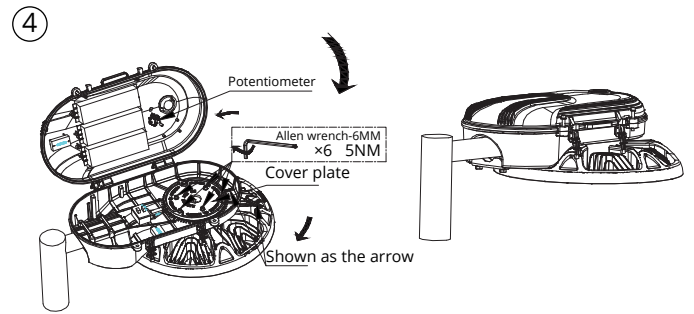
Loose screws of power box cover, box buckle and clamp



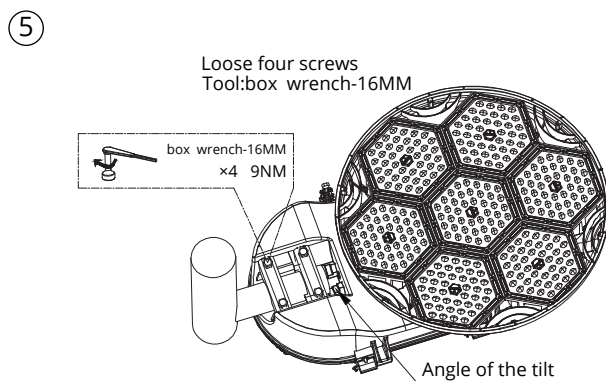
After the lamp pole is inserted into the lamp body and the lamp level is determined by the level indicator, tighten the lamp pole support and open the upper cover 110 degrees through the handle



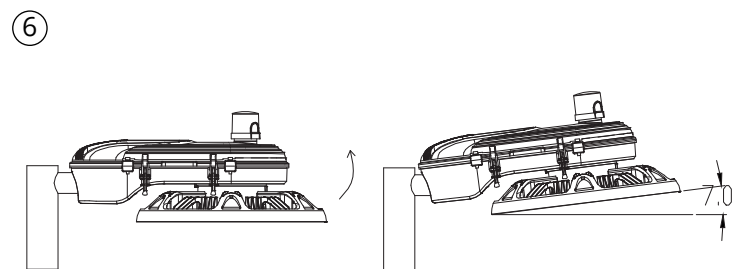
Take down the platen of wires, Remove the securing pipe, Connect the external input wire with the same color: black for L, white for N, and green for GND, tighten the line sleeve clamp plate



A field-adjustable output by a 1-10V potentiometer can be realized if needs to adjust the brightness of the fixture. Ventilated optical housing (360 degrees) which can be rotated to suit application by loose 6pcs screws on the plate, pls close the cover after installation.

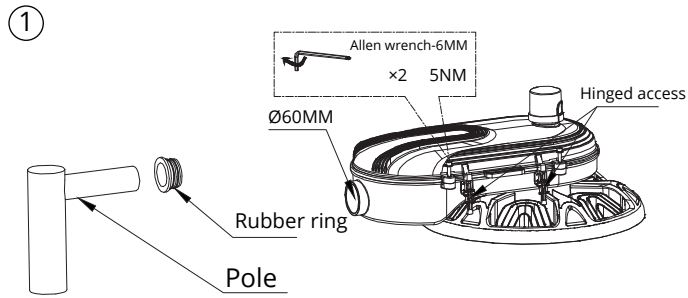


If the vertical angle of the fixture requires changing, Loose the bolt screws to adjust the fixture to desired angle by put the fixture into the vertical angle tilt, lock the bolt screws. Fix the pole and cover.

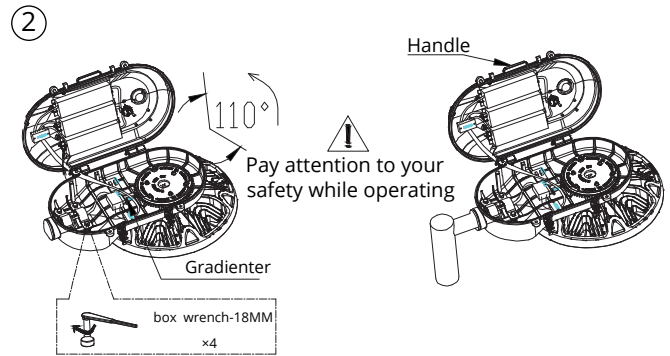


The vertical angle offers 0-7 degrees tilt.

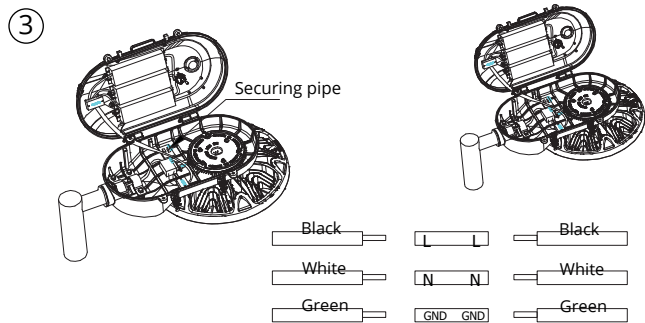
3 Installation of Internal mounting:



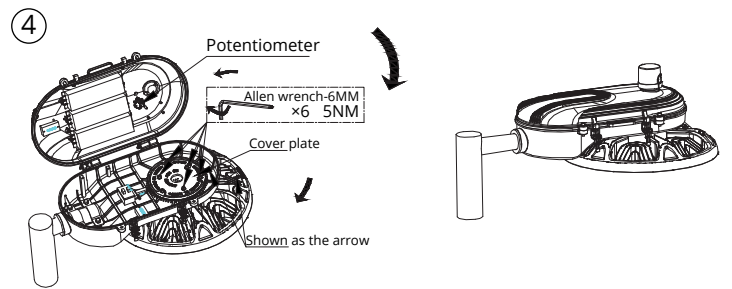
Loose screws of power box cover, box buckle and clamp, Then mount the Rubber ring on the light pole.



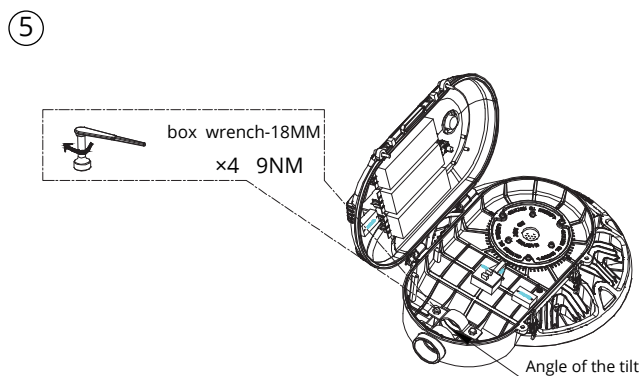
Open the top cover of driver box by 110 degrees by the handle, insert the light pole into the lamp body, and tighten the lamp pole bracket after determining the lamp level through the gradienter.



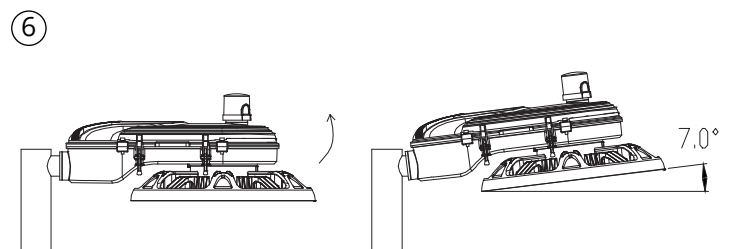
Unplug the securing pipe and connect the external input wires with the same color wires, black for L, white for N and green for GND.



A field-adjustable output by a 1-10V photentionmeter can be realized if needs to adjust the brightness of the fixture. Ventilated optical housing (360 degrees) which can be rotated to suit application by loose 6pcs screws on the plate, pls close the cover after installation .



If you are not satisfied with the vertical Angle of the lamp, open the top cover of the power supply counter clock wise, you can twist the screw on the clamp, adjust the lamp rod to the appropriate Angle step, lock the clamp screw, and fix the lamp rod.



The vertical angle offers 0~7 degrees tilt.