

ITEM SKU#: 662187548487

# Bilevel Dimming Sensor

ACCESSORIES | SENSORS



## FEATURES

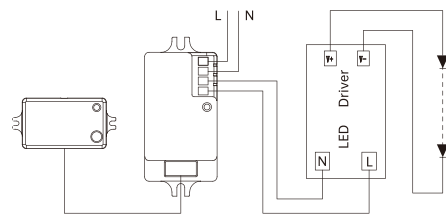
- Adjustable delay on/off settings.
- Supports remote control to set parameters by HD01R.
- Selectable detection area.
- Stand-by power.

## PRODUCT DETAILS

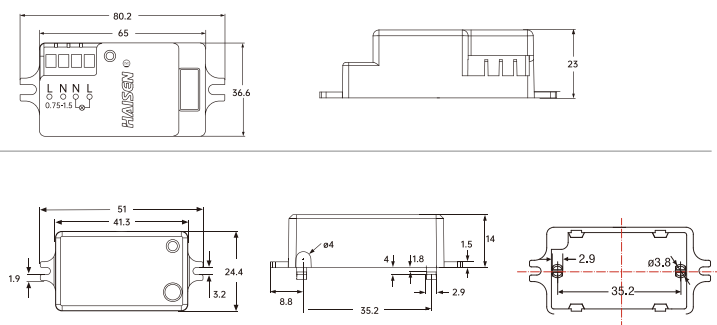
Operating Voltage	120-277 V AC 50/60 Hz
Switching Capacity	Max. 3.0 A@120 V AC; Max. 2.0 A@277 V AC
Stand-by Power	≥1 W
Operating Temperature	-4 °F ~ +140 °F
Detection Area	25%/50%/75%/100%
Hold Time	5s/30s/1 min/3 min/5 min/10 min/20 min/30 min Along With Remote HD01R
Daylight Threshold	2 Lux/10 Lux/30 Lux/50 Lux/80 Lux/120 Lux/ Disable Along With Remote HD01R
Mounting Height	Max. 6 m/19.68 ft
Detection Range	Max. ø14 m/45.92 ft
Microwave Frequency	5.8 GHz±75 MHz
IP Rating	IP20
Remote Model	HD01R/HD03R/HD05R

## WIRING DIAGRAM

Unit:mm



## Dimensions



## Detection Patterns

Ceiling Mounted

