



ITEM SKU#: 662187548432

# Daylight Harvesting Sensor

ACCESSORIES | SENSORS

## FEATURES

- Daylight harvesting.
- Protected against wet locations.
- Ambient brightness learning.
- Photocell function.
- Operable by a remote control.

## PRODUCT DETAILS

Operating Voltage	10.5-15 V DC
Stand-by Power	<30 mA
Output	DIM 1-10 V
Daylight Priority Function	120 Lux/80 Lux/ 50 Lux/30 Lux
Daylight Threshold	2 Lux/10 Lux/30 Lux/50 Lux / 80 Lux/120 Lux/Disable
Detection Area	25%/50%/75%/100%
Hold Time	5s/30s/1min/3 min/5 min/10 min/20 min/30 min
Microwave Frequency	5.8 GHz±75 MHz
Mounting Height	Max.12 m/39.36 ft
Detection Range	Max. ø16 m/52.48 ft
Stand-by Dimming	10%/20%/30%/50%
Stand-by Period	0 s/10 s/30 s/1min/ 5 min/10 min/ 30 min/1 h + ∞
Motion Detection	0.5-1 m/s
Remote Model	HD05R

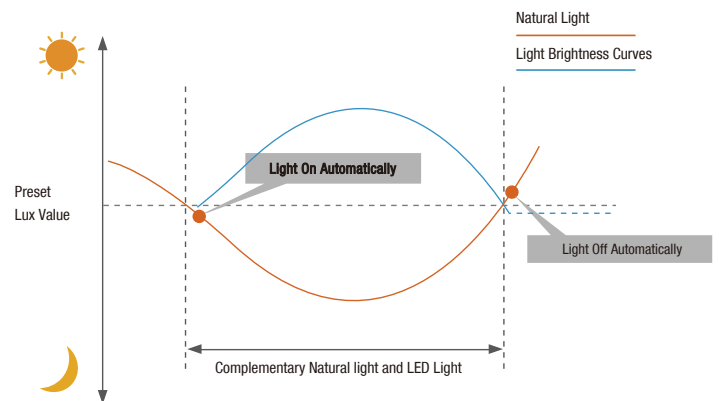
## ENVIRONMENT

Operating Temperature	-4 °F ~ +140 °F
IP Rating	IP65

## LIFESPAN

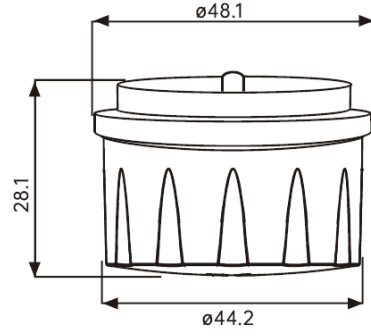
Average Life (Hours)	50,000
Warranty	5

## DAYLIGHT HARVESTING (DIMMING) FUNCTION



### DIMENSIONS

Diameter (Front)	Ø44.2
Diameter (Back)	Ø48.1
Height	28.1



### WIRING DIAGRAM

