

ITEM SKU#: 662187478845

Microwave Motion Sensor

(With Rod Antenna)

ACCESSORIES | SENSORS



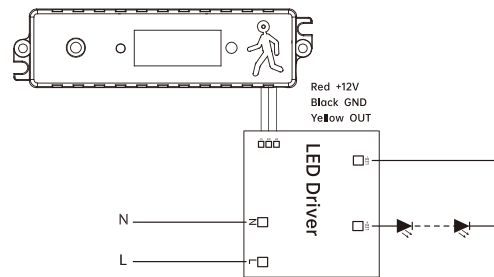
FEATURES

- Rod antenna dimmable motion detector.
- Incorporates DIP switch keys.
- Ambient brightness learning.
- Selectable detection area.
- Stand-by dimming level.

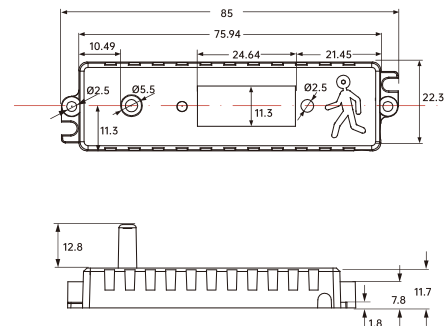
PRODUCT DETAILS

Operating Voltage	12 V DC
Operating Current	≥25 A Max
Output	1-10 V
Stand-by Power	<0.5 W
Detection Area	50%/100%
Daylight Threshold	2 Lux/10 Lux/50 Lux/Disable
Hold Time	5s/30s/1min/10 min
Microwave Frequency	5.8 GHz±75 MHz
Mounting Height	Max 4 m/13.12 ft
Detection Range	Max. Ø10 m/32.8 ft
Stand-by dimming	10%/20%/30%/50%
Stand-by period	0/30s/20 min/+ ∞
Microwave power	<0.3 mW
IP Rating	IP20

WIRING DIAGRAM



Dimensions



Detection Patterns

