

ITEM SKU#: 662187557700

Trilevel Dimming Sensor

ACCESSORIES | SENSORS



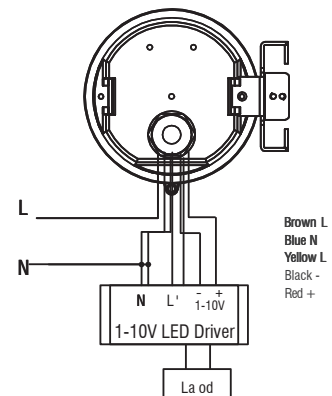
FEATURES

- Microwave motion sensor with dimmable function.
- Operable by a remote control.
- Sensitive and reliable in functionality.
- Automatic on/off function.
- Protected against wet locations.

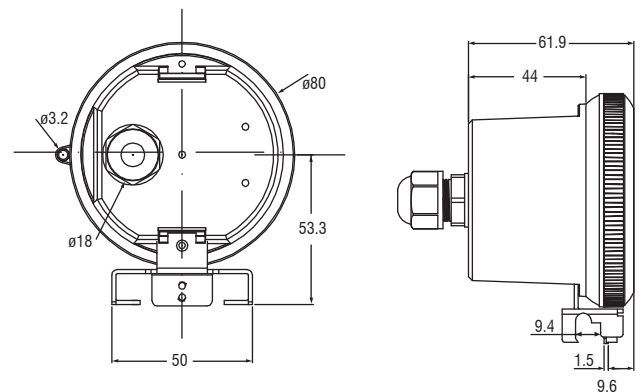
PRODUCT DETAILS

Operating Voltage	120-120-277 V AC,50 Hz/60Hz
Switching Capacity	800 W@120-220 V ac,1000 W@220-277 V ac(Incandescent lamp); 400 W@120 V a c,800 W@220-277 V ac(Control gear)
Stand-by Power	≤1 W
Detection Area	25%/50%/75%/100%
Hold-Time	5s/30s/1min/3 min/5 min/10 min/20 min/30 min
Daylight Threshold	2 Lux/10 Lux/30 Lux/ 50 Lux/80 Lux/120 Lux/Disable
Stand-by Period	5.8 GHz±75 MHz0 s/10 s/30 s/1min/ 5 min/10 min/30 min/+ ∞
Stand-by Dimming Level	10%/20%/30%/50%
Microwave Frequency	Max.15 m/49.21 ft 5.8 GHz±75 MHz
Microwave Power	<1 mW
Mounting Height	Max. 15 m/49.21 ft
Detection Range	Max. (DxH): 16 m/52.49 ft x 15 m/49.21 ft
Operating Temperature	-31 °F ~ +158 °F
IP Rating	IP65
Detection Angle	150° (Wall Installation), 360° (Ceiling Installation)
Safety Standard	EN61347-1 EN61347-2-13 EN60598-1
Size	ø3.14" x 2.43"
Certificate	cULus Listed, FCC

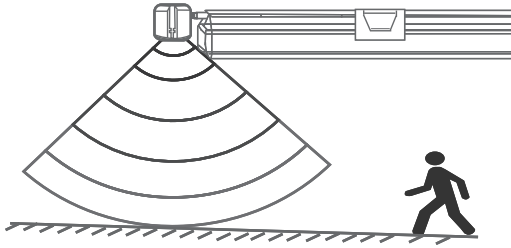
WIRING DIAGRAM



MECHANICAL STRUCTURE



INSTALLATION METHOD



Detection Patterns

Ceiling Mounted

